

INSTALLATION INSTRUCTIONS

Miata Radio Power-Off Delay – Part Number 12009 Miata 1990-1997

Congratulations on your purchase of this Radio Power-Off Delay. Adding this controller will add a level of convenience we have come to expect in our cars today. Whenever the switched power line is on, the radio power will be on, but once the switched power is turned off, the radio power remains active until a door is opened or 15 minutes. Installation of this module will require you to remove the dash “tombstone” to gain access to the radio wiring. YouTube is a great source for instructions on how to do this. Once you have removed the tombstone, remove the radio so you have access to the factory wiring.

Parts Included in this Kit

- | | |
|-------------------|-----------------------|
| 1-Controller Unit | 1-Small crimp ring |
| 4-T-tap | 4-Male 1/4” Connector |
| 2-Zip-ties | |

Mounting the Unit

The Radio Power-Off Delay may be mounted in any location where the electrical connections are easily accessible. Use the supplied zip-ties to securely hold the unit once the wire connections are made.

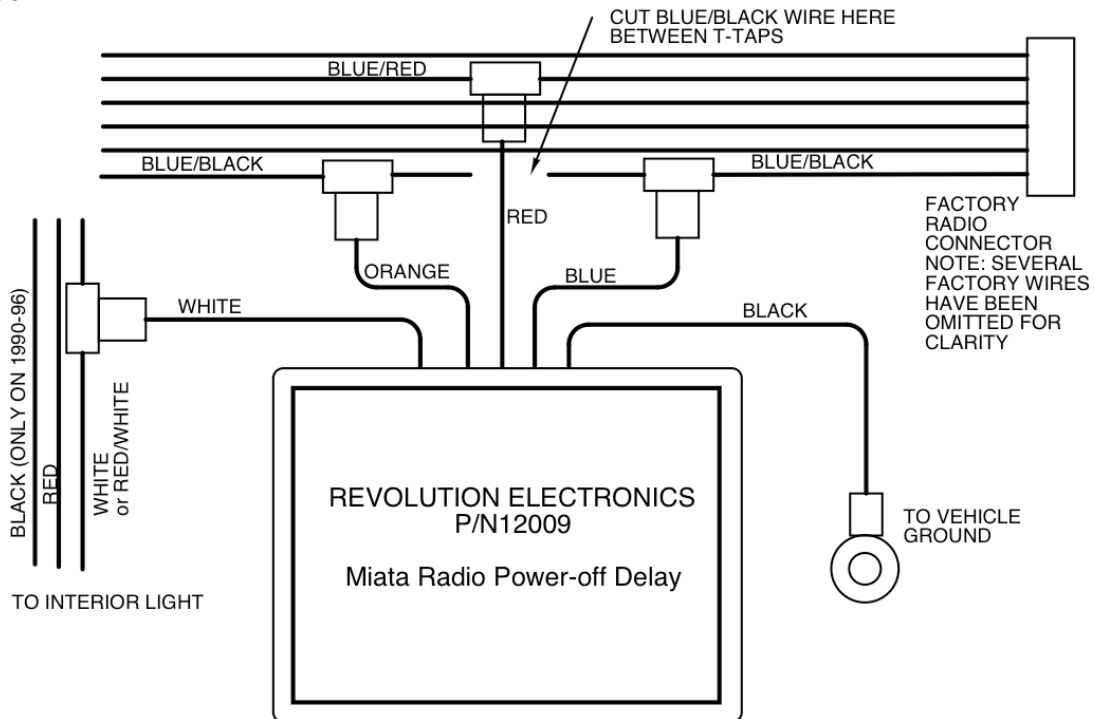


Figure 1

Note that several wires leading to the radio connector have been omitted for clarity

Electrical Connections

The Radio Power-Off Delay needs connections to constant power, switched power, the radio power lead, the cabin light trigger wire (to sense when a door is opened), and a main ground lead. Figure 1 shows a basic schematic of how the unit should be wired.

Red Wire This wire needs a CONSTANT power source. This wire must have battery voltage at all times (even when the key is off). Use one of the supplied T-taps to clip onto the factory Blue/Red wire going to the radio connector, trim the red wire to length, crimp a male terminal to the end and connect the Red wire to the T-tap.

Black Wire Connect this wire to a good vehicle ground. Once you cut the black wire to length, attach the small ring terminal to the end and secure to a mounting bolt or another source of vehicle ground.

Orange Wire This wire gets connected to a switched power source. Voltage on this wire should be present only when the key is on. Use one of the supplied T-taps to clip onto the factory Blue/Black wire going to the radio connector, trim the orange wire to length, crimp a male terminal to the end and connect to the T-tap.

White Wire This wire senses the door opening.

1990-95: Pop out the passenger side interior light from the dash and feed the white wire over to the opening. Attach the supplied T-tap connector to the factory white (or red with white stripe) wire of the cabin light module, trim the Radio Delay white wire to length, crimp a male terminal to the end and connect to the T-tap.

1996-97: locate the factory connector routing power up to the interior light. Usually located above the fuse box, it has two wires going to it: Red/White and Blue/Red. Attach the supplied T-tap connector to the factory Red/White wire, trim the Radio Delay White wire to length, crimp a male terminal to the end and connect to the T-tap.

Blue Wire This wire will supply power to the radio. Use one of the supplied T-taps to clip onto the factory Blue/Black wire (same factory wire you connected the Orange wire to), trim the Blue wire to length, crimp a male terminal to the end, and connect to the T-tap.

Now clip the factory Blue/Black wire between the Orange wire T-tap and the Blue wire T-tap. Test the installation. Tuck the module in with all the factory wiring and reassemble the dash.

Trouble Shooting:

Radio doesn't power up:

- Make sure all the T-taps are making good contact with the wires and that all the module wires are securely connected to the correct T-tap.
- Make sure the red wire is connected to +12V
- Make sure the black wire is connected to a good ground
- Check for +12V on the orange wire when the ignition key is on
- Check for +12V on the purple wire when the ignition key is on

Radio shuts off immediately when key turned off:

- White wire not connected to the correct wire of the interior light.
- Red wire not connected to a constant +12V power source.

Radio doesn't shut off when door opened

- White wire not connected to the correct wire of the interior light.

Warranty:

All Revolution Electronics products carry a warranty against defects in materials or workmanship for a period of one (1) year from the original retail purchase. Revolution Electronics' liability is strictly limited to the prompt repair or replacement of the defective product. Revolution Electronics shall not be responsible for (a) labor, transportation, or other incidental charges; (b) consequential or other damages incurred by use of any product. Revolution Electronics offers no other warranty beyond this limited warranty. This limited warranty does not apply to products which have been (a) modified or altered in any way; (b) subjected to adverse conditions, misuse, neglect, accident, improper installation or adjustment, contaminants, corrosion, or faulty repair; or (c) used in applications other than those recommended by Revolution Electronics. To initiate a warranty process, the consumer must first contact technical support (tech@revolutionelectronics.com) to receive a return authorization number. The product must be returned to Revolution Electronics complete with a dated receipt and a return authorization number.


www.revolutionelectronics.com
Cypress, California 90630