

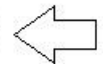
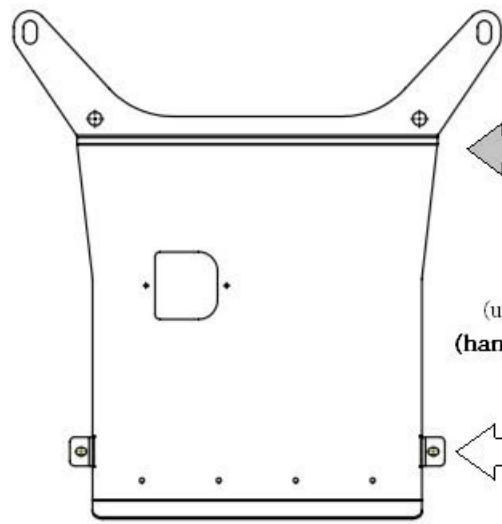
# NA & NB Skid Plate Instructions

rear hardware order for NB model:

- bolt
- large steel washer
- \*\*skid plate\*\*
- large aluminum washer
- \*\*subframe\*\*
- large steel washer
- nut
- (hand tighten)**

rear hardware order for NA model:

- bolt
- large steel washer
- \*\*skid plate\*\*
- large aluminum washer
- body
- (torque to 60 ft/lb)**



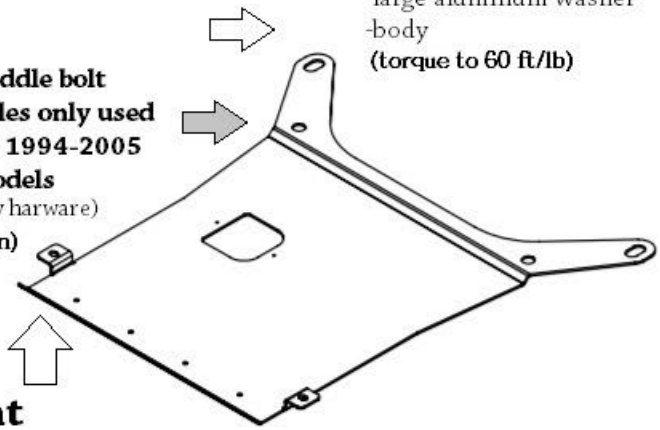
**back**

**middle bolt  
holes only used  
on 1994-2005  
models**

(use factory hardware)

**(hand tighten)**

**front**



front hardware order:

- bolt
- washer
- \*\*skid plate\*\*
- subframe (some times threaded backing is missing,  
use provided nuts to replace missing threads) **(hand tighten)**

*Pro Shop* **NOBLE Inc.**