

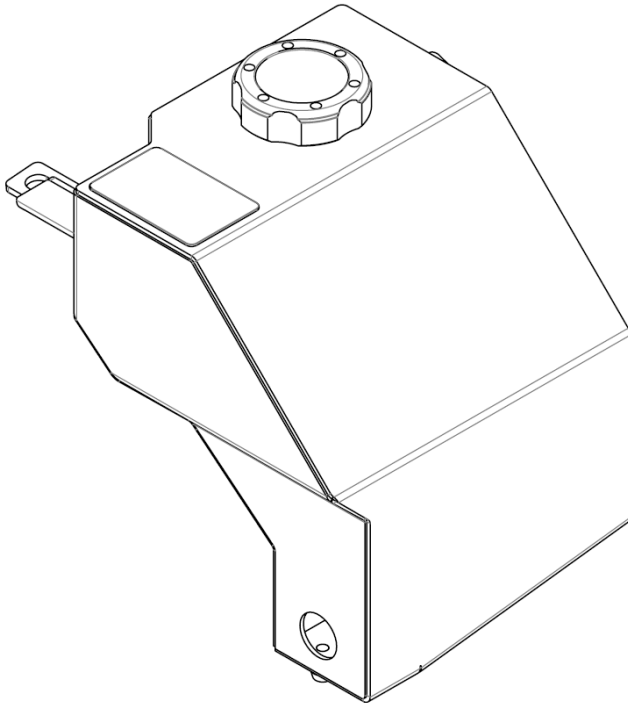
DAVEFAB

BESPOKE | MOTORSPORT | FABRICATION

MX5/Miata Washer Bottle

Mk3 / NC

D119-A001



DAVEFAB

BESPOKE | MOTORSPORT | FABRICATION

Carton Contents:

1x D119-B001 - Washer Bottle Tank

1x D119-B002 - Fitting Kit

- 1x Instruction Leaflet
- 1x Sticker
- 1x 530116 - Bolt M6x16
- 1x 530132 - Nylock Nut
- 1x 530134 - Grommet

DAVEFAB

BESPOKE | MOTORSPORT | FABRICATION

Installation Instructions

1. Remove original plastic tank

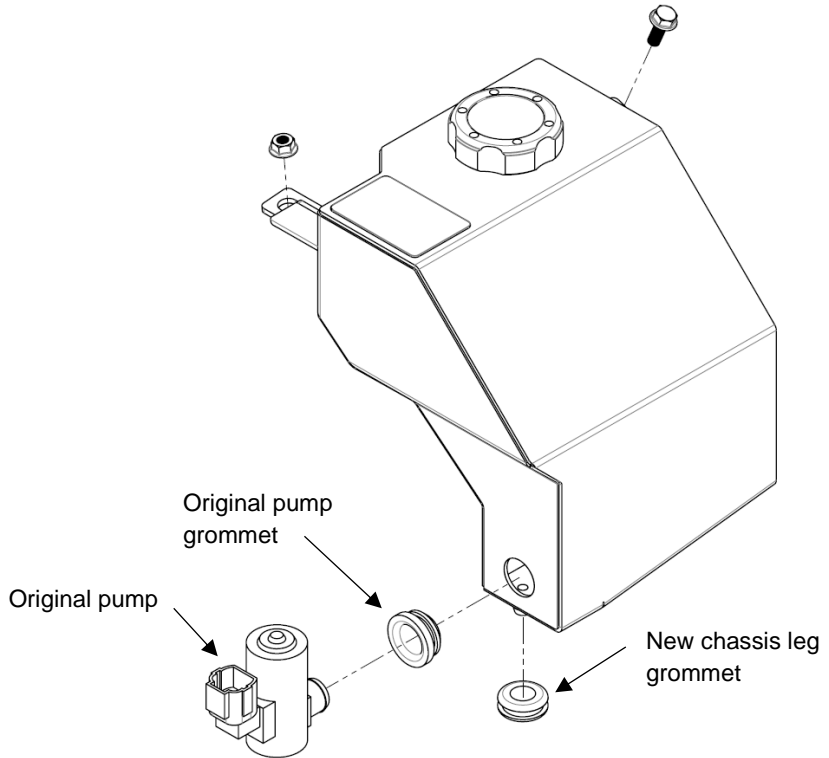
- 1.1 Unclip the wiring loom and air conditioner hard line (if fitted) from the plastic tank.
- 1.2 Remove the nut and screw securing the tank.
- 1.3 Disconnect the connector from the pump and gently pull the pump out of the tank, it is secured by a rubber grommet. The pump will be reused. Catch any washer fluid in a container.
- 1.4 Remove and retain the rubber grommet – it will be reused.

2. Install the DaveFab tank

- 2.1. Fit the supplied rubber grommet in the chassis leg.
- 2.2. Insert the original pump grommet into the DaveFab tank
- 2.3. Push the pump in the pump grommet and connect the wiring loom
- 2.4. Lower the washer bottle into position, locating the boss on the bottom of the tank with the newly installed grommet in the chassis leg.
- 2.5. Secure the tank with the supplied fasteners
- 2.6. Refill the tank with washer fluid.

DAVEFAB

BESPOKE | MOTORSPORT | FABRICATION



If you have any questions please let us know: info@davefab.com

Thanks for supporting DaveFab!