

Installation instructions: 90-97 Mazda Miata Kit #12-204



714.979.4990

3560 Cadillac Ave., Costa Mesa, CA 92626

Prothane Motion Control highly recommends this and all our polyurethane suspension kits be installed by a qualified automotive technician.

1. When removing the original hat bushings from the rear control arms it is recommended to use a hydraulic press, or a C-clamp with impact, to press the rubber bushings out properly.
2. Make sure the control arm is thoroughly cleaned having no rubber residue left over inside the bushing housings.
3. Apply Prothane High Tech Grease to all metal, and urethane contact points on the control arm.

⚠ Please refer to a factory service manual before any disassembling or reassembling of your vehicle, for proper specifications. Check service manual to make sure all torque specs are properly done.

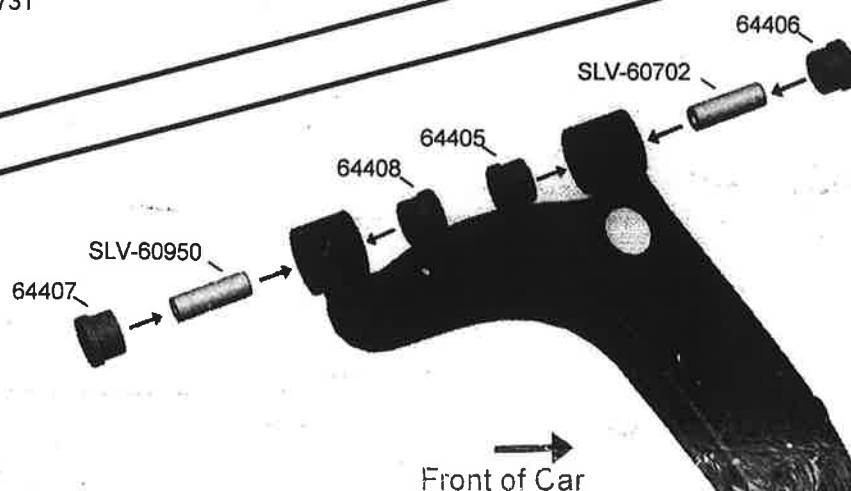
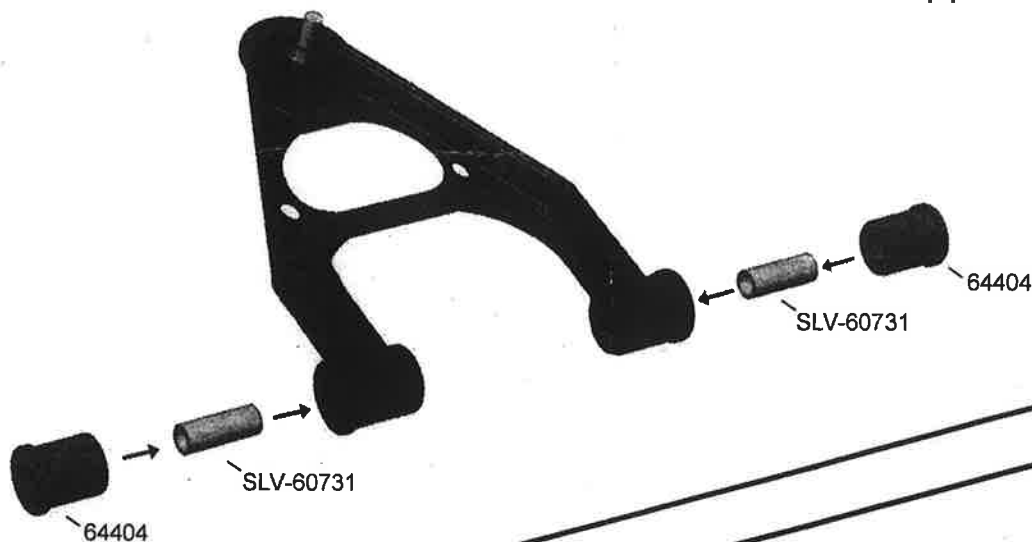
Make sure to mark any eccentrics that should be properly aligned prior to disassembly, to reference from when reassembling. re-align the vehicle after bushing have been installed.

Parts List:

- 4 - 64404 Upper Control Arm
- 2 - 64405 Lower Control Arm
- 2 - 64406 Lower Control Arm
- 2 - 64407 Lower Control Arm
- 2 - 64408 Lower Control Arm
- 2 - SLV-60702 (Sleeve .875"x .500"x 2.750")
- 2 - SLV-60950 (Sleeve .875"x .500"x 2.350")

- 4 - SLV-60731 (Sleeve .813"x .625"x 2.250")
- 2 - 19-1750-001 Prothane high tech grease

Front Upper Control Arm:



Front Lower Control Arm: