

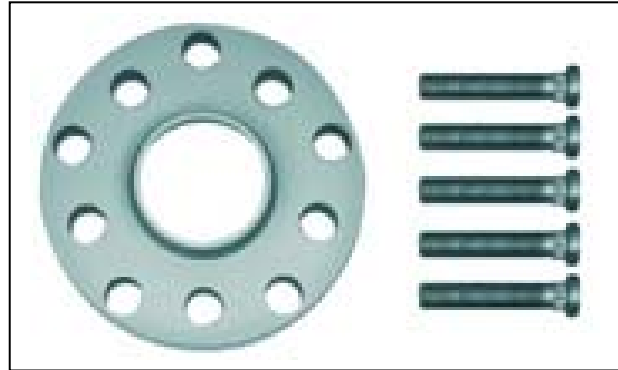
Supplemental Information for H&R Wheel Spacers

H & R TRAK+ wheel spacers are made from a proprietary aluminum/magnesium alloy which is not only incredibly strong, but also very light weight (up to 70% lighter than a comparable steel product). TRAK+ wheel spacers are then hard anodized to ensure a tough, durable finish that is resistant to chipping, scratching and oxidation. Hub centric for the highest level of accuracy, TRAK+ wheel spacers are 100% made in Germany under ISO 9001 Quality Assurance standards, and meet the rigid safety criteria of the German TÜV. These spacers move the wheel out from the hub, widening the stance, lowering the roll center and improving lateral stability.

DRS Kits

Wheel Spacers and Longer Wheel Studs

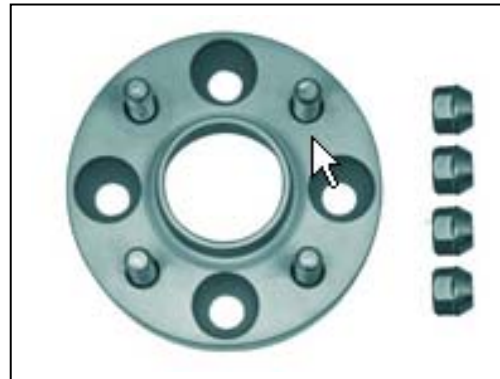
The wheel spacer is fitted between the wheel and the hub. The original hubs on the car must be removed, and the original studs must be pressed out so the longer studs (supplied in the kit) can be pressed in. We suggest you have this work done by a professional mechanic. The wheels are then fitted to the hub/spacer with the existing wheel-nuts.



DRM Kits

Wheel Spacers with Integral Studs

The spacer is secured to the stock hub using the stock wheel studs using special low-profile nuts supplied with the kit. The spacer comes with the new wheel studs already installed. Because the stock studs are not removed, the DRM kits are easier to install yourself. The wheels mount to the new spacer / wheel studs using the stock wheel nuts.



Miata Model Year	Bolt Pattern	Diameter of Original Wheel Studs	Thickness of Spacer, MM	Thickness of Spacer, Inch	Type	Part No.	Description
90-93 to (P)103600	4/100 MM	13 MM	5	0.197	DRS	904-270	Wheel Spacers (Pair)
	4/100 MM	13 MM	15	0.591	DRS	904-271	Wheel Spacers (Pair)
	4/100 MM	13 MM	25	0.984	DRM	904-272	Wheel Spacers (Pair)
93 from (P)103601, 94, 95	4/100 MM	14.85 MM	5	0.197	DRS	904-265	Wheel Spacers (Pair)
	4/100 MM	14.85 MM	15	0.591	DRS	904-266	Wheel Spacers (Pair)



MOSS MOTORS, LTD.

440 Rutherford Street, Goleta, California 93117

Toll Free US & Canada (800) 667-7872 FAX (805) 692-2510 (805) 681-3400